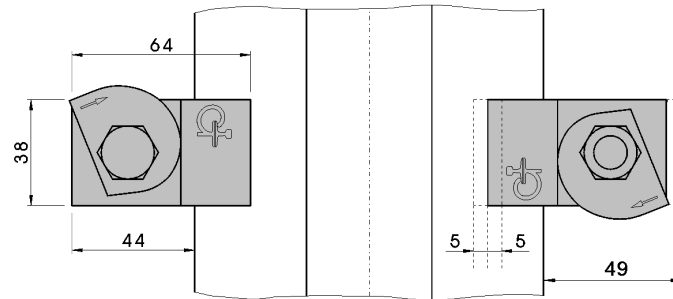


Use 4 mm-thick pad only.

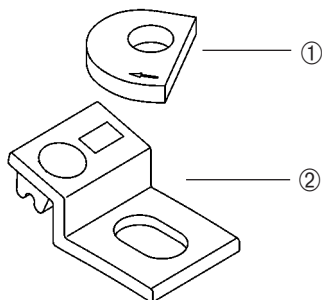


\* For mounting on concrete + metallic plate, please contact us.

CLIPS	C max mm	Tightening torque (Nm)		Est'd weight kg
		4.6	<b>8.8</b>	
51/015/AN	22	30	<b>80</b>	0,140
51/015/BN	26			0,170
Admissible side load (kN)		10	<b>15</b>	

N : nose height, not compressed, adapted to the rail type (see table overleaf).

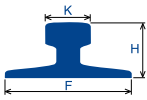
**SUB-PARTS**



Full designation	
51/015/AN or 51/015/BN	
Components	
①	1x 51/015/C
②	1x 51/015/22/N or 51/015/26/N

Anti-corrosion coating :  
see leaflet "Patented bolttable clips".

**51/015**
**CLIP SELECTION FOR EACH RAIL**

	F mm	K mm	H mm	Weight kg/m	Mounting	
					with	without
					4 mm pad	
A 45	125.0	45.0	55.0	22.10	51/015/BH	51/015/AH
Vign 15	66.0	42.0	84.0	15.15	51/015/BI	51/015/AI
S 10	58.0	32.0	70.0	10.00	51/015/BI	51/015/AI
S 14	70.0	38.0	80.0	14.00	51/015/BI	51/015/AI
S 18	82.0	43.0	93.0	18.30	51/015/BI	51/015/AI
S 20	82.0	44.0	100.0	19.80	51/015/BH	51/015/AH
S 30	108.0	60.0	108.0	30.03	51/015/BH	51/015/AH
ASCE 40	88.9	47.6	88.9	19.84	51/015/BI	51/015/AI
JIS 12	69.8	38.1	69.8	12.20	51/015/BI	51/015/AI
JIS 15	79.4	42.9	79.4	15.20	51/015/BI	51/015/AI
JIS 22 (AS 22)	93.7	50.8	93.7	22.90	51/015/BH	51/015/AH
16 BR	108.0	44.5	54.0	16.03	51/015/BH	51/015/AH
P 24 (R 24)	92.0	51.0	108.0	24.90	51/015/BH	51/015/AH

For rail sections other than those listed on this page, please contact us.

*We reserve the right to discontinue or change specifications or design at any time without prior notice and without incurring any obligation whatsoever.*


**GANTREX GmbH**

Hirzenrott 10 – D 52076 Aachen • Tel. +49 (0)2408 9454-0 • Fax +49 (0) 2408 9454-28

 E-mail : [info@de.gantry.com](mailto:info@de.gantry.com) • <http://www.gantrex.de>